

SPA-QUIP

SPA POWER 400P

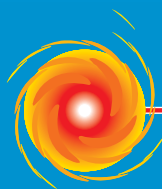
The SP400P is a model which incorporates the features of the SP601 but has a separate detachable element which allows the controller to be mounted in small confined spaces. Perfect for controller retrofits and small spas.

Features

- 2 x Single or 1 x two speed pump control
 - 24Hr circulation pump control
 - Single speed or variable speed blower (SPVSB) control
 - Ozone outlets
 - Pool temperature control using either an "In pool" or "In heater" sensor
 - Adjustable filtration control
 - Available with or without a digital time clock
 - Super hard, non stick, 250°C element coating
 - Safety thermal cutout
 - Optical water sensor
 - Variable colour light (SPVCL) control providing the following effects:
13 colours available, with fast & slow cycling
 - Or budget Single Colour LED Light (SPCL) option
- In addition the SP400P dip switches can be altered to select
- Less or more load shedding
 - In heater or in pool temperature sensor
 - 24hr circ pump fitted or not fitted
 - Optional time clock

A simple, easy to use pool side touch pad with a digital readout and clearly labeled switches to control pump on/off, heater on/off and speed or auxiliary pump on/off, light on/off and colour, water temperature setting and filtration time selection. The digital readout also shows pool water temperature and diagnostic error codes. The Spa Power 400P touch pad comes in either rectangular or the oval night backlit model.

The SP400P uses AMP connectors for flexibility and consistency with the SP800 and SP1200 so common stock of accessories can be used. AMP plugs are available to modify existing stock if required.



SPA-QUIP
SPA EQUIPMENT



SPA-QUIP

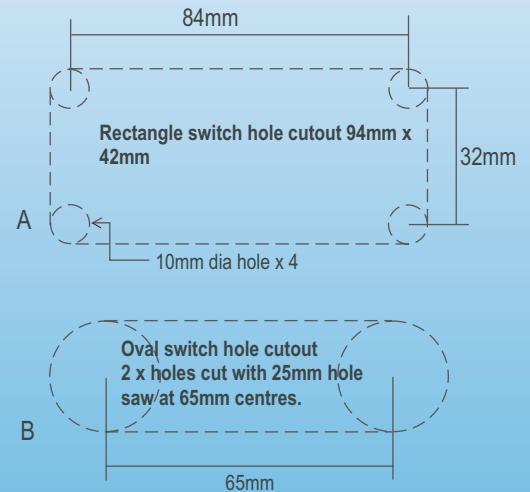
SPA POWER 400P

Approvals

Matches the Spa Power range of equipment offering safety, EMC and immunity approvals to EN standards, making it suitable for sale in markets such as Europe, Australia and New Zealand.

Specifications

SP400P dimensions	198mm x 150mm x 90mm
Heater T fittings diameter	40mm or 50mm
50mm Heater T dimensions (including element)	275mm x 115mm
40mm Heater T dimensions (including element)	260mm x 100mm
Heater pressure, max (head of water)	300kPa (31m)
Temp - max controlled	41.5°C
Temp - thermal cut out	50°C +/- 3°C
Temp - max ambient	40°C
Mains cord length	5m
Pool side touchpad - face (rectangle)	118mm x 65mm x 6mm
Pool side touchpad - body (rectangle)	92mm x 40mm x 22mm
Recommended switch hole (rectangle)	See diagram A
Pool side touchpad - face (oval)	112mm x 49mm x 4mm
Pool side touchpad - body (oval)	88mm x 22.5mm x 19mm
Recommended switch hole (oval)	See diagram B
Switch lead length (both versions)	3m



Supply Requirements (Max total loading)

1.5kW models	220 - 240V, AC, 50-60Hz, 10A
2.0kW models	220 - 240V, AC, 50-60Hz, 15A

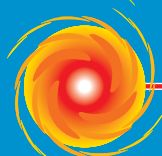
Purchasing Information

Q400P	Spa Power 400P
Q400PAU-10	Spa Power 400P, 1.5kW heating element & AS/NZ 15 Amp Cordset & Oval Touch pad
Q400PAU-10R	Spa Power 400P, 1.5kW heating element, AS/NZ 15 Amp Cordset & Rectangle Touch pad
Q400PAU-15	Spa Power 400P, 2kW heating element & AS/NZ 15 Amp Cordset & Oval Touch pad
Q400PAU-15R	Spa Power 400P, 2kW heating element, AS/NZ 15 Amp Cordset & Rectangle Touch pad
Q950151	Heater Assy 40mm Htr T 1.5kW No Temp sensor
Q950157	Heater Assy 40mm Htr T 1.5kW
Q950206	Heater Assy 40mm Htr T 2.0kW No Temp sensor
Q950207	Heater Assy 40mm Htr T 2.0kW
Q950156	Heater Assy 50mm Htr T 1.5kW No Temp sensor
Q950155	Heater Assy 50mm Htr T 1.5kW
Q950201	Heater Assy 50mm Htr T 2.0kW No Temp sensor
Q950205	Heater Assy 50mm Htr T 2.0kW
Q71092	Spa Power 400P Rectangle t/pad
Q916907	Spa Power 400P Rectangle t/pad overlay
Q71093	Spa Power 400P Oval t/pad
Q916945	Spa Power 400P Oval t/pad overlay
Q921016	SP400P Time Clock Assembly

Spa Power Equipment manufactured in New Zealand by Spa-Quip Ltd

2 Rothwell Avenue, North Harbour Industrial Park, Auckland, NZ

Www.spa-quip.co.nz



SPA-POWER

SPA EQUIPMENT



N376